

# Feeding Houses and Birdbaths: A Sanctuary for Your Feathered Friends



## Feeding Houses and Birdbaths in Your Garden - Making Your Feathered Friends Welcome in Your Garden (Gardening Series Book 11) by John Davidson

★★★★☆ 4 out of 5

Language	: English
File size	: 3180 KB
Text-to-Speech	: Enabled
Screen Reader	: Supported
Enhanced typesetting	: Enabled
Print length	: 46 pages
Lending	: Enabled



Transform your garden into an enchanting haven for birds by creating inviting feeding houses and birdbaths. These structures not only provide nourishment and hydration, but also create a welcoming sanctuary where these feathered friends can thrive. This comprehensive guide will walk you through the art of designing, building, and maintaining these essential amenities, ensuring your garden becomes a vibrant gathering place for birds.

## Chapter 1: The Art of Birdhouse Design

Embark on a journey into the world of birdhouse design, exploring the principles of size, shape, and materials. Discover the ideal dimensions for different bird species, and learn how to create an entrance hole that is both inviting and protective. Explore the various materials used in birdhouse

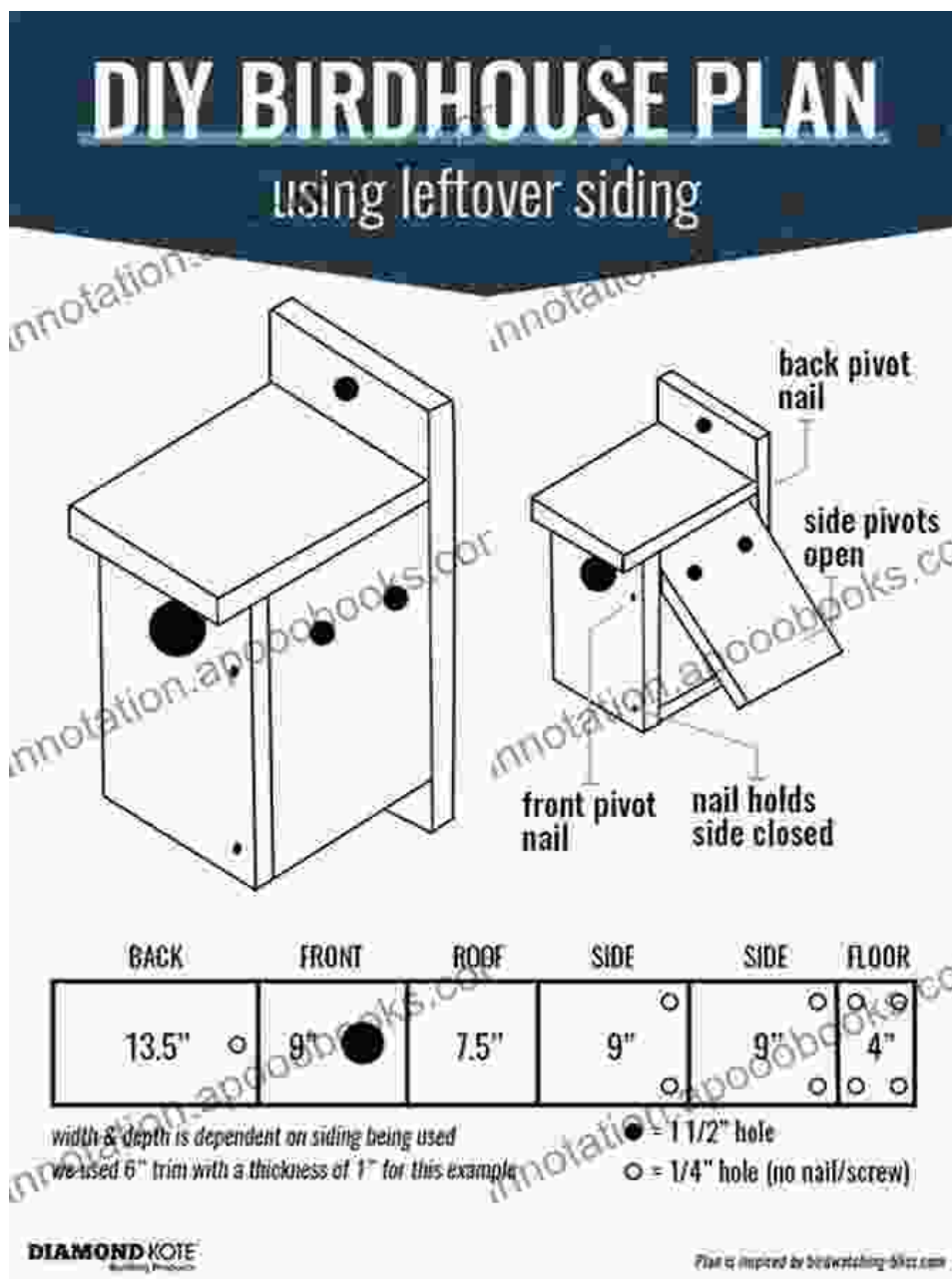
construction, from classic wood to innovative recycled materials, and discover their respective advantages and suitability for different environments.



## **Chapter 2: Building a Birdhouse**

Step-by-step instructions guide you through the process of building your own birdhouse. Whether you prefer a traditional wooden design or a more

contemporary style, you'll find clear instructions and helpful tips to ensure your birdhouse is sturdy, weather-resistant, and inviting.



Detailed steps and illustrations to empower you in constructing your own birdhouse.

### Chapter 3: Creating a Bird Bath

Discover the secrets of creating a stunning bird bath that will attract a variety of feathered visitors to your garden. Explore the different materials used in bird bath construction, such as stone, concrete, and ceramic, and learn about their unique properties and suitability for different garden settings. Gain insights into the ideal depth and shape of a bird bath, and learn how to incorporate additional features like perches and shallow areas for smaller birds.



## **Chapter 4: Placement and Maintenance**

Learn the art of strategic birdhouse and birdbath placement, ensuring your feathered friends have easy access to these amenities while maintaining a safe environment. Discover the ideal height and location for birdhouses, considering factors such as sunlight, protection from predators, and proximity to natural food sources. Understand the importance of regular maintenance, including cleaning, disinfecting, and repairing your birdhouses and birdbaths to ensure the health and well-being of your bird visitors.

## **Chapter 5: Attracting Birds to Your Garden**

Explore the secrets of attracting a diverse range of birds to your garden, transforming it into a vibrant haven for these fascinating creatures. Discover the importance of providing a variety of bird foods, such as seeds, nuts, fruits, and insects, and learn how to create a bird-friendly habitat with native plants and water sources. Understand the significance of minimizing noise and disturbance, and the positive impact it has on attracting and maintaining a healthy bird population.



Proven strategies to entice a variety of bird species to your outdoor oasis.

Creating feeding houses and birdbaths in your garden is a rewarding endeavor that not only benefits birds but also enriches your outdoor space. By providing these essential amenities, you create a sanctuary for nature's feathered wonders, allowing them to thrive and bring joy to your garden. Embrace the art of birdhouse and birdbath design, and transform your garden into a haven for birds, where the symphony of nature's melodies fills the air.

**Feeding Houses and Birdbaths in Your Garden - Making Your Feathered Friends Welcome in Your Garden (Gardening Series Book 11)** by John Davidson

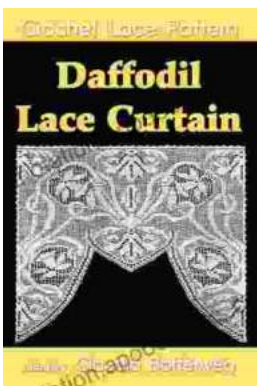


★ ★ ★ ★ ☆ 4 out of 5  
Language : English  
File size : 3180 KB  
Text-to-Speech : Enabled  
Screen Reader : Supported  
Enhanced typesetting : Enabled  
Print length : 46 pages  
Lending : Enabled



## Dive into the Enchanting World of "Crazy Like Fox": A Heartwarming and Unforgettable Story Set in the Quaint Town of Fox Crossing, Maine

Prepare yourself for a literary adventure that will transport you to the picturesque town of Fox Crossing, Maine, where secrets are buried deep beneath the surface of...



## Unlock the Elegance of Daffodil Lace: An Immersive Guide to Filet Crochet Mastery

: A Tapestry of Delicate Threads Imagine the ethereal beauty of a daffodil field in full bloom, its delicate petals swaying gracefully in the breeze....